

INSTRUCTIONS FOR INSTALLING THE PARTS OF THE ANTI-VANDALISM-DAMAGE DOOR GUARD ON A NATIONAL VENDORS® CROWN SEVENTY TWO®, ECM-72 ELECTRIC CANDY/SNACK MERCHANDISER OR EPM-72 ELECTRIC PASTRY MERCHANDISER

The parts of the Anti-vandalism-damage Door Guard Kit, when installed in an ECM-72, Electric Candy Merchandiser or EPM-72 Electric Pastry Merchandiser, will minimize the amount of Cabinet Door, Coin Mechanism, and Delivery Mechanism damage caused by persons who attempt to do damage by kicking, pounding, etc. on the Cabinet Door.

The Anti-vandalism-damage Door Guard Kit, part number 130-2334, consists of the following parts:

| Part Number | Description | Quantity |
|-------------|--|----------|
| 130-6169 | Bumper Bracket | 1 |
| 130-2333 | Spacer Bar | 1 |
| 117-0206 | No.8-32 x 3/8" Truss Head Slotted Screw (Black) | 2 |
| 9900-019 | No.8-32 x 3/8" Round Head Slotted Screw | 2 |
| 9900-081 | No.8-32 Nut/Lockwasher | 4 |
| 130-2335 | Installation Instruction | 1 |
| | * * * | |

The equipment need to install the parts of the Kit, includes a drill, an 11/64" drill bit, and a flat metal file.

Before starting the work of installing the parts of the Kit, read these instructions carefully and thoroughly. To prevent personal injury, heed the Warning which follows steps 10 and 20.

TO INSTALL THE PARTS INCLUDED IN THE KIT:

1. Disconnect the Merchandiser Service Cord from the wall receptacle.
2. Open the Cabinet Door.
3. Rotate the Delivery Mechanism out of the Cabinet.
4. Open the Delivery Mechanism Door.
5. If the right hand Tray Chain Assembly is not empty, remove all items from that Tray Chain Assembly.
6. At the front part of the Delivery Mechanism Right Sidewall measure 23 21/32" up from the top of the bottom flange of the Sidewall. Mark the 23 21/32" position on the Sidewall. See Figure 1.
7. Place the Bumper Bracket on the Sidewall with the end of the long flat blade against the Gear Train Assembly Mounting Bracket. The angle of the Bracket, when properly installed, will cause the Bracket to clear the brace on the Sidewall and the foot of the Bracket which has the holes in it will rest flat against the Sidewall. The top of the Bracket is to be aligned with the point measured in step 6. See Figure.

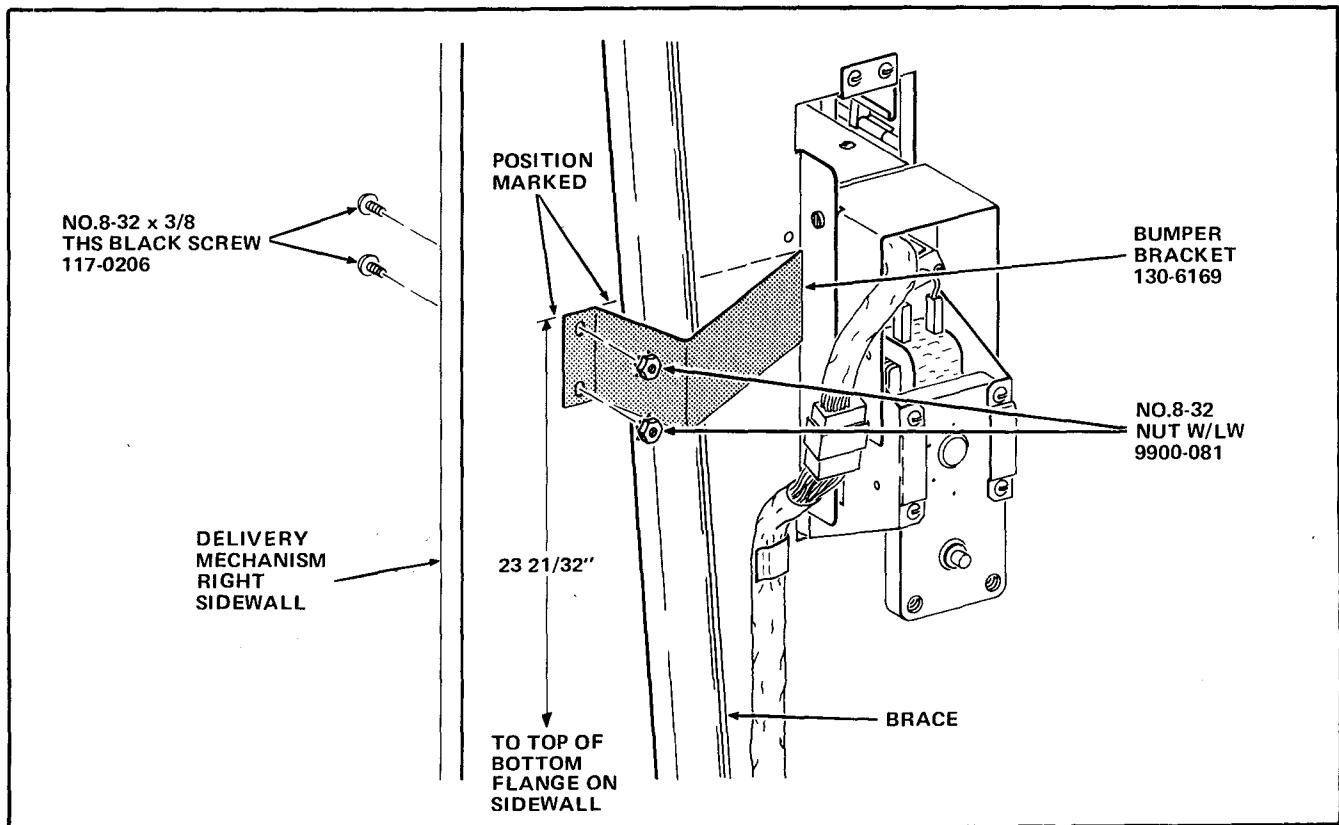


FIGURE 1

Printed in U.S.A.

8. Mark the center location of the two holes in the Bumper Bracket on the Sidewall. Use a center-punch or other marking device.
9. Remove the Bumper Bracket.
10. Drill a hole at each mark.

CAUTION

Be careful when drilling the 2 holes. Carefully bend those Trays which may be in line with the drill bits, away (up or down) from the bit to prevent Tray Damage.

WARNING

When bending a Tray out of the way of the drill bit, keep your hands away from the bit to prevent physical damage to your hands.

11. Use a file to smooth all the rough edges that may be present after drilling.
12. Clean up all drill chips and metal shavings from the inside and outside of the Delivery Mechanism.
13. Install the Bumper Bracket and attach it with the two No.8-32 x 3/8" Truss Head Slotted Screws (Black), part number 117-0206, and two No.8-32 Nuts/Lockwasher, part number 9900-081. The Nuts are to be to the outside of the Delivery Mechanism. See Figure 1.
14. Close the Delivery Mechanism Door and move the Delivery Mechanism to the in-cabinet position.
15. Remove the Coin Mechanism from the Cabinet Door.
16. Remove the Gum And Mint Chute Assembly.
17. Remove the Holder And Cover Assembly.
18. Place the Spacer Bar (part number 130-2333 - included in the Kit) against the underside of the Selection Panel Channel Assembly at the Coin Mechanism end of the Channel. The notch in the Broad end of the Spacer Bar is the clearance for the Selector Panel and the Stainless Steel Vertical Glass Trim. Be sure the end of the Spacer Bar is flush and tight against the inner surface of the Cabinet Door.
19. Mark the center location of the 2 holes in the Spacer Bar on to the underside of the Selection Panel Channel Assembly. Use a center-punch or other marking device.
20. Drill a hole at each mark. Use a drill bit of any one of the 3 sizes given at the beginning of these instructions.

WARNING

Keep your hands away from the drill bit to prevent physical damage to your hands.

CAUTION

1. Do not drill any electrical wiring or components.
2. Do not allow drill chips to get into any mechanical or electrical parts.
21. Use a file to smooth all rough edges that may be present after drilling.
22. Clean up all drill chips and metal shavings from the Selection Channel, etc.
23. Install the Spacer Bar on the underside of the Selection Panel Channel Assembly and attach it with the two No.8-32 x 3/8", Round Head Slotted Screws, part number 9900-019 and two No.8-32 Nut/Lockwashers, part number 9900-081. See Figure 2.
24. Install the Holder And Cover Assembly and the Gum And Mint Chute Assembly.
25. Install the Coin Mechanism. Fit the Coin Mechanism Cable between the Coin Mechanism and the extended blade on the Spacer Bar.
26. Close the Cabinet Door, the Merchandiser is ready to be put into service.

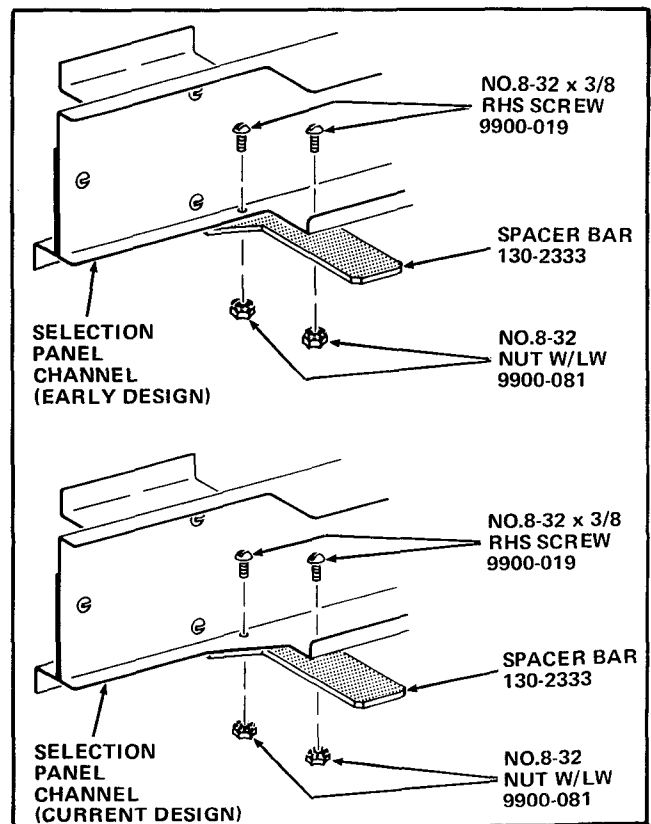


FIGURE 2